

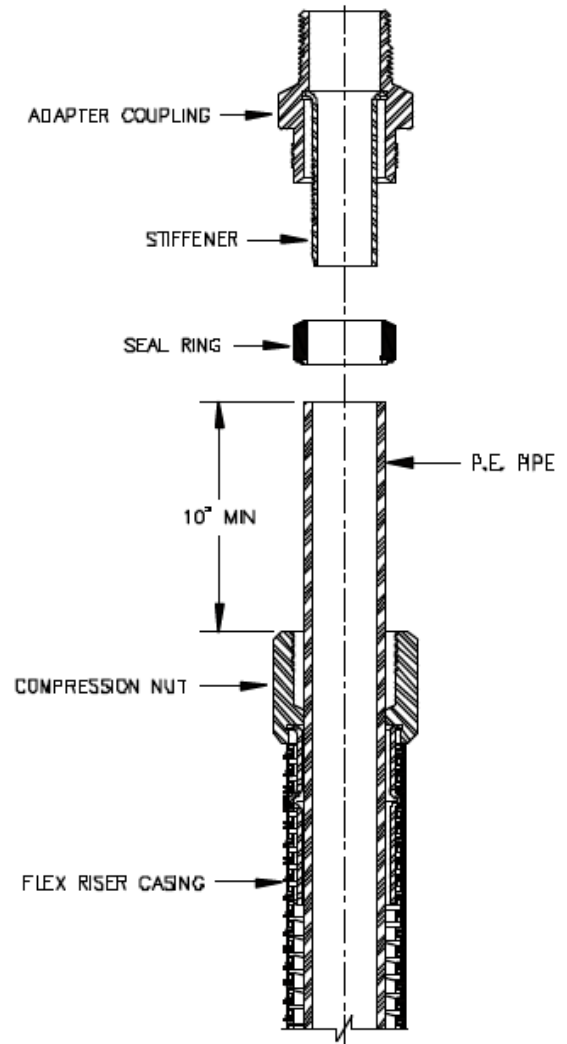
ECSI-Risers

Flexible and Rigid Service Risers



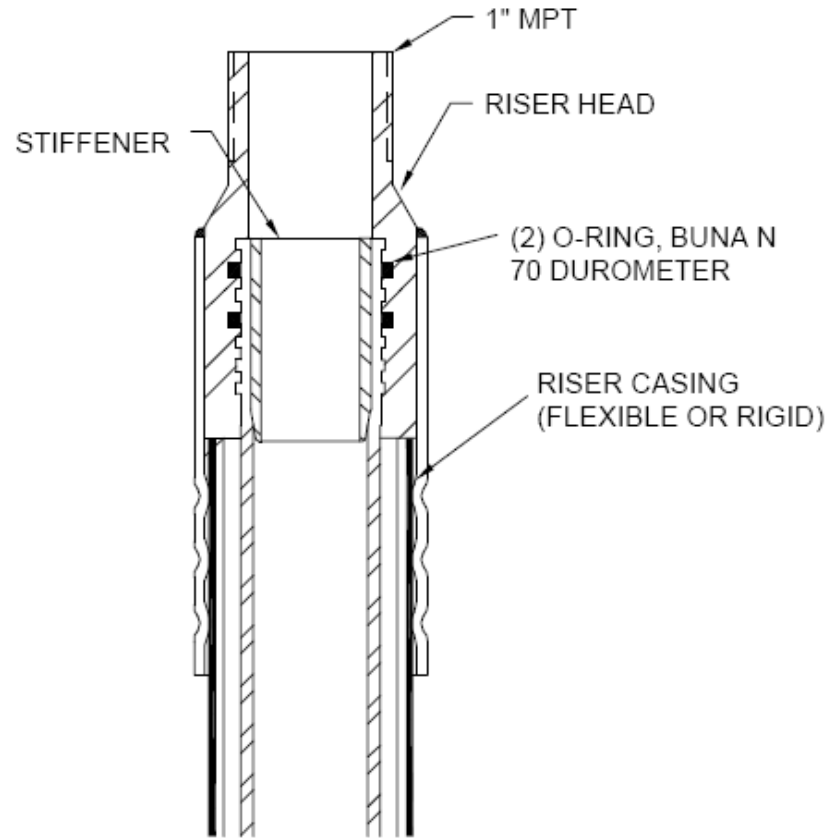
Service Head Adaptor Design

- **Early technology incorporated service head adaptors**
 - Compression joint made by installer
 - Functionally adequate but operator errors could lead to weak joints



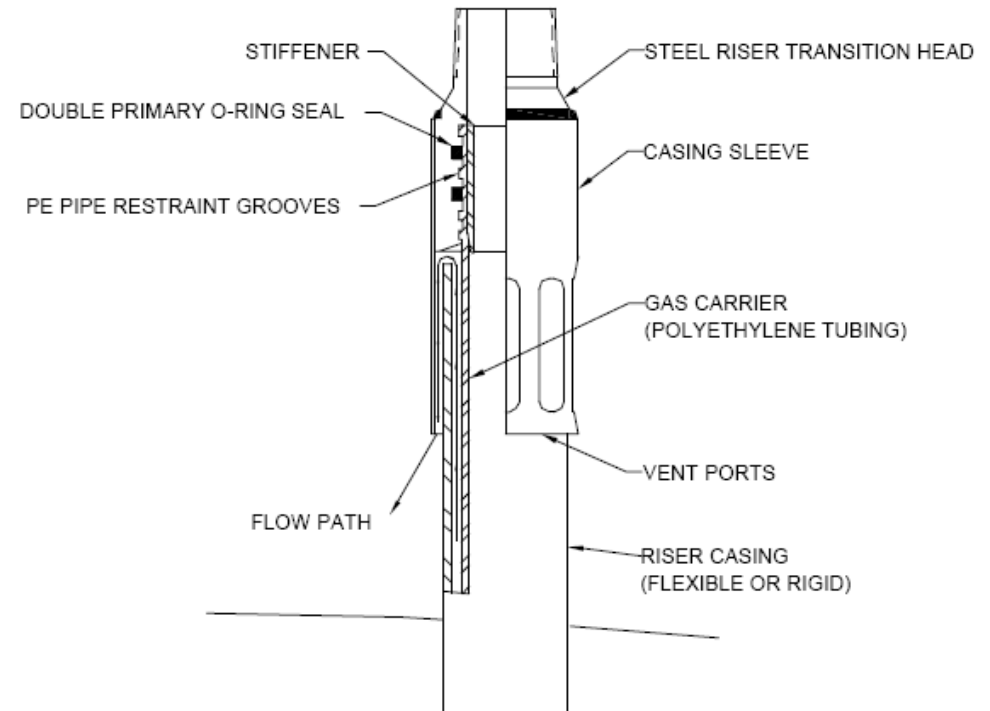
Factory-made connection

- **Industry moved to factory made PE to metal connection**
 - Repeatable assembly procedure in a controlled (factory) environment
 - 100% factory testing of joint
 - Significantly reduced chance for operator error



Factory-made connection with safety vent

- **Newest design in evolution provides positive venting for early leak detection**
 - Same factory-made connection
 - 100% Pressure tested
 - Patented design provides vent channels for evacuation of fugitive gas

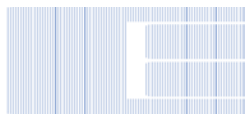


ECSI-VENT™

Flexible and Rigid Service Risers

U.S. Patent #7740284 and 7753412





Contents

- Description and Purpose
- Leak Migration and Joint Integrity
- How the ECSI-VENT™ Works
- Design and Installation
- Advantages



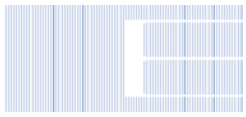


Description and Purpose

ECSI-VENT™ ...the transition style vented service riser for that extra peace of mind...

- Alerts the homeowner that gas may be leaking along the service line in the vicinity of his home
- Allows migrating gas to be vented safely to atmosphere
- Available with a rigid or flexible casing

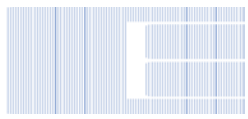




Contents

- Description and Purpose
- Leak Migration and Joint Integrity
- How the ECSI-VENT™ Works
- Design and Installation
- Advantages



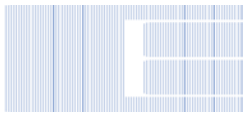


Leak Migration and Joint Integrity

Couplings can leak when improperly installed...

- Leaks along gas mains can migrate toward service lines...
- Fuel gas can migrate along natural gas service lines...
- Whether directly buried or inserted...
- Sometimes with devastating results...





Leak Migration and Joint Integrity





Leak Migration and Joint Integrity



Reduce the risk and exposure to unwanted fuel gas accumulation with the ECSI-VENT™ service riser





Contents

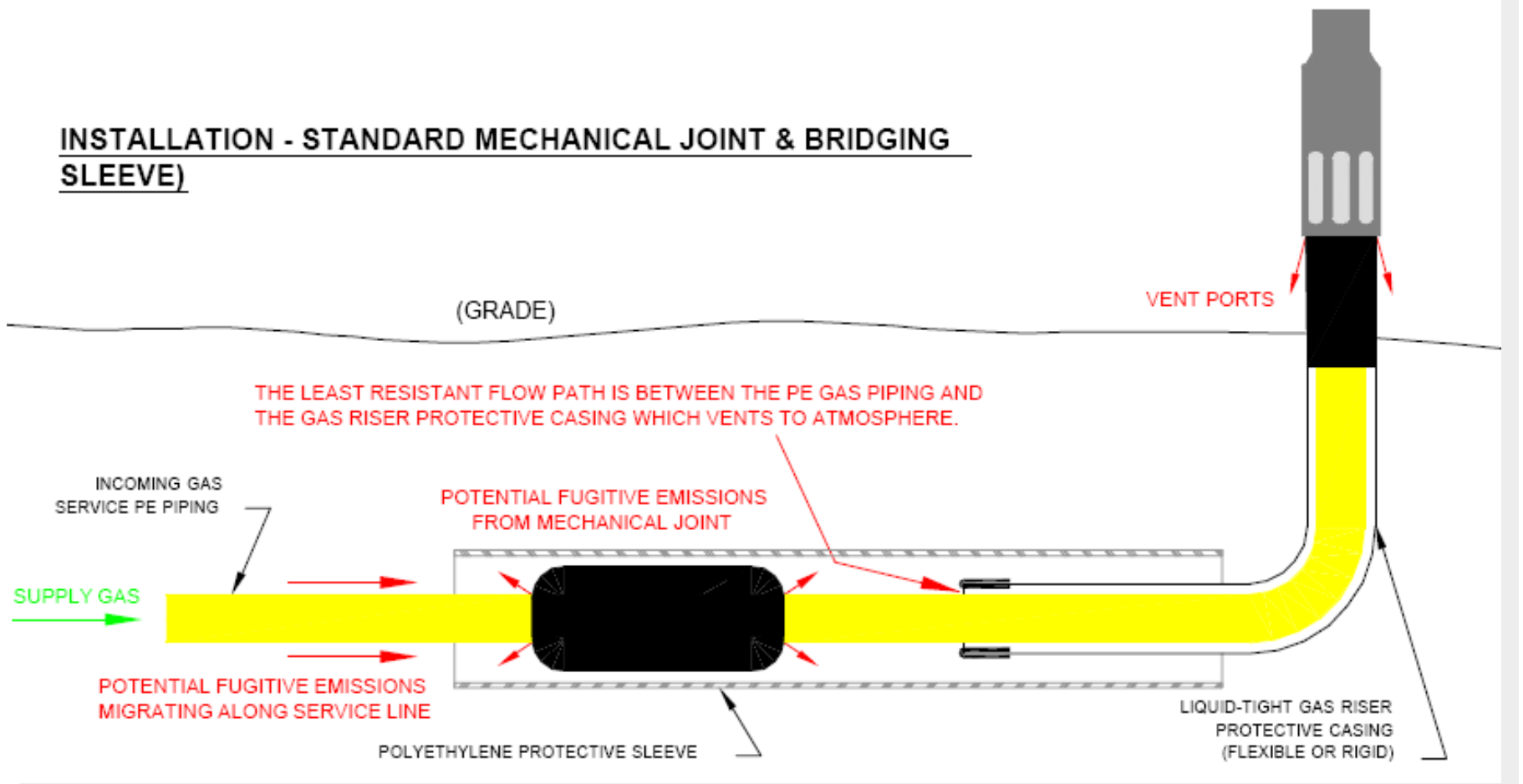
- Description and Purpose
- Leak Migration and Joint Integrity
- How the ECSI-VENT[™] Works
- Design and Installation
- Advantages





How the ECSI-VENT™ Works

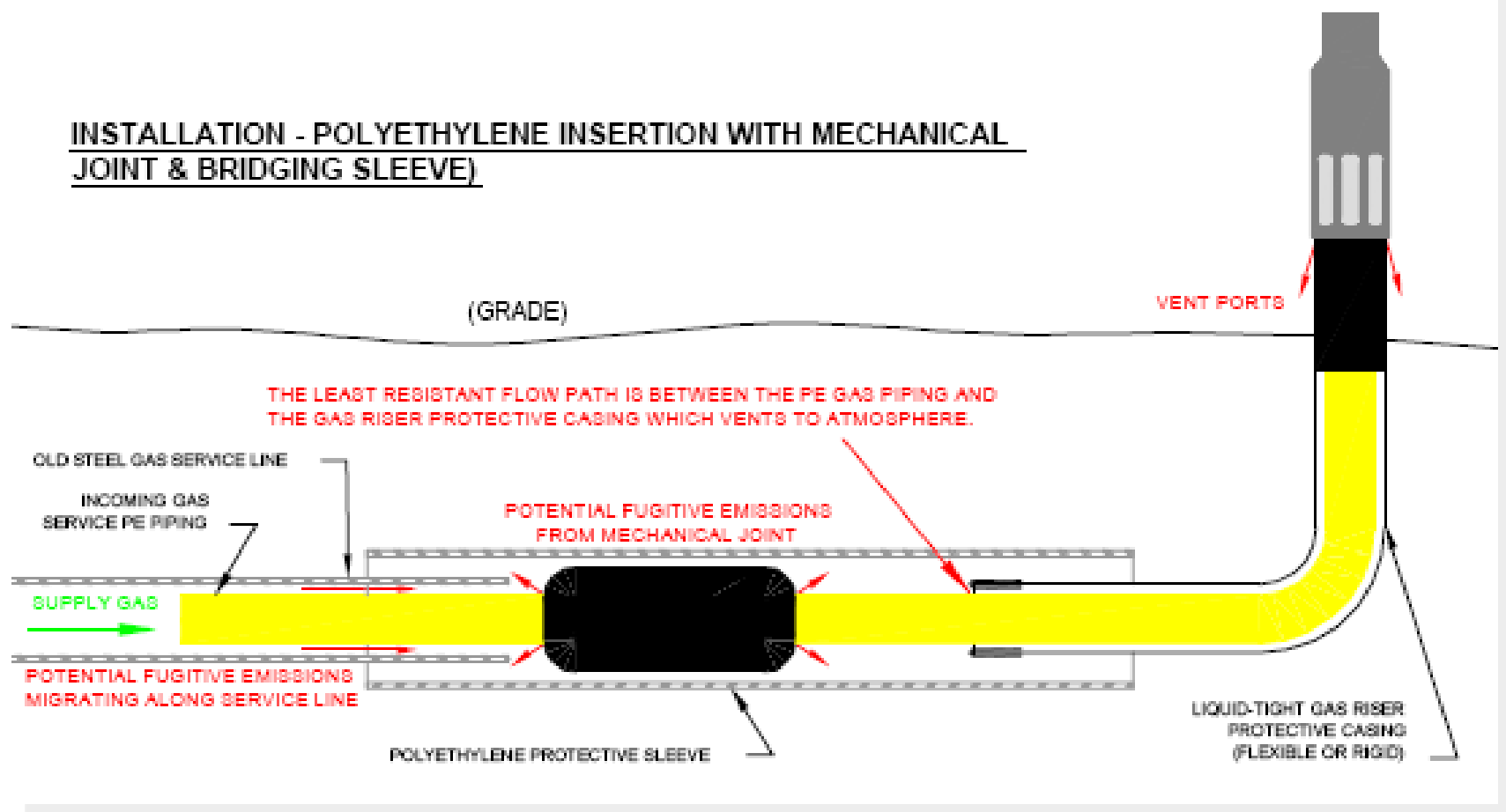
INSTALLATION - STANDARD MECHANICAL JOINT & BRIDGING SLEEVE)





How the ECSI-VENT™ Works

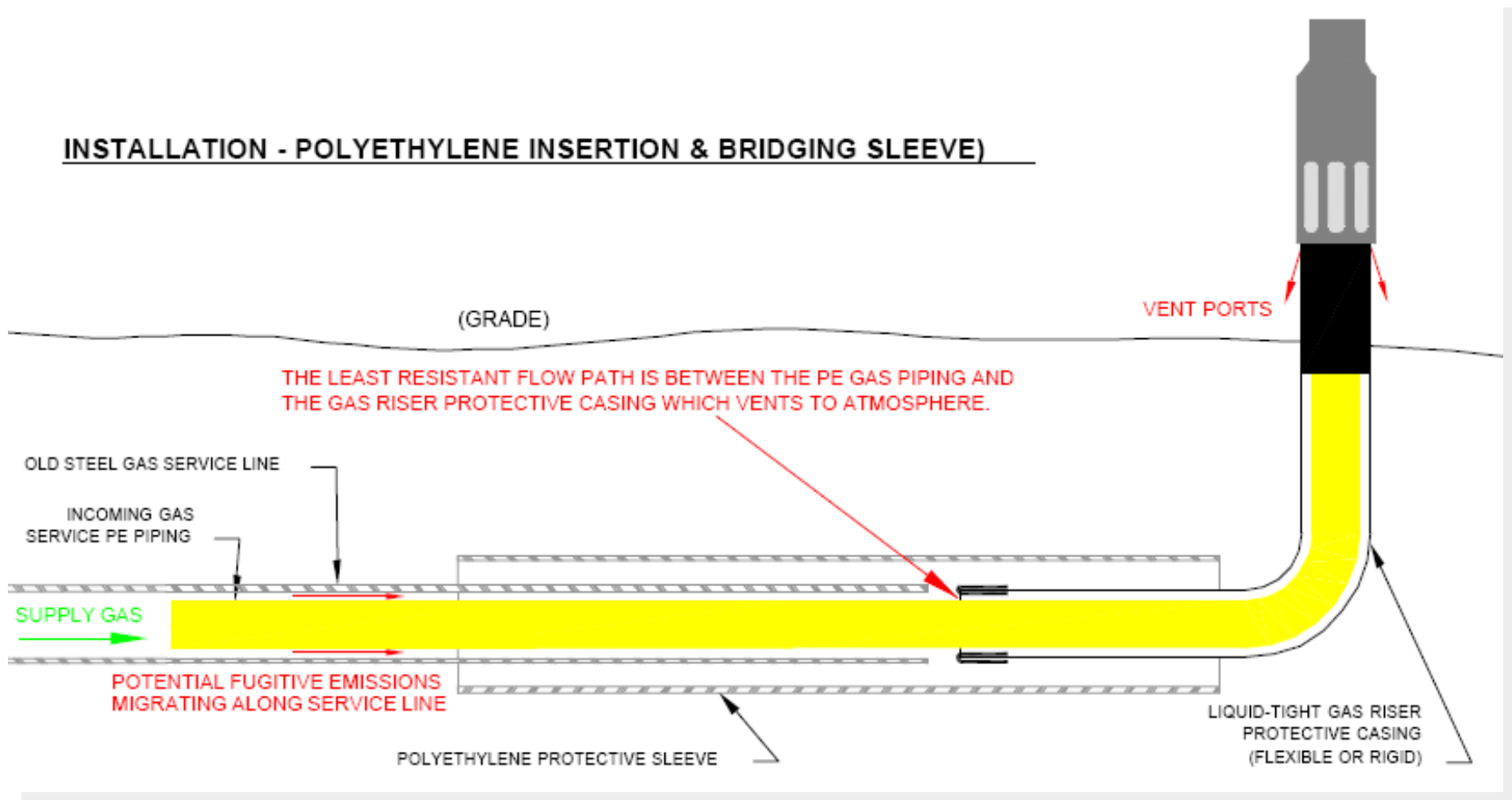
INSTALLATION - POLYETHYLENE INSERTION WITH MECHANICAL JOINT & BRIDGING SLEEVE)





How the ECSI-VENT™ Works

INSTALLATION - POLYETHYLENE INSERTION & BRIDGING SLEEVE)



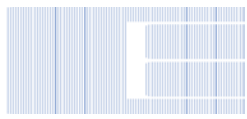


How the ECSI-VENT™ Works

The ECSI-VENT™ riser provides simple leak (odor) detection by the homeowner or...

- By a routine utility “sniff” under the riser head
- Higher flow rate leaking may be detected audibly



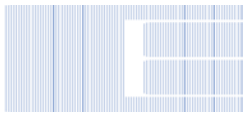


How the ECSI-VENTtm Works

The use of a bridging sleeve is recommended...

- Shields the underground end of the riser from backfill
- Protects the coupling from stresses associated with axial misalignment

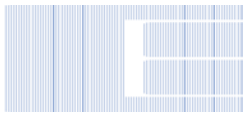




Contents

- Description and Purpose
- Leak Migration and Joint Integrity
- How the ECSI-VENT tm Works
- Design and Installation
- Advantages



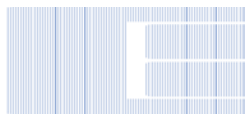


Design and Installation

Product Design

- Field proven “transition head” design identical to the design used on our non-vented risers
- Rigid, flexible or “hybrid” protective casings
- The unique factory made connection between the riser head and the protective casing provides the venting...
- Multiple venting ports...safely protected from the weather and from infiltration by insects





Design and Installation

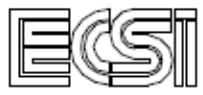
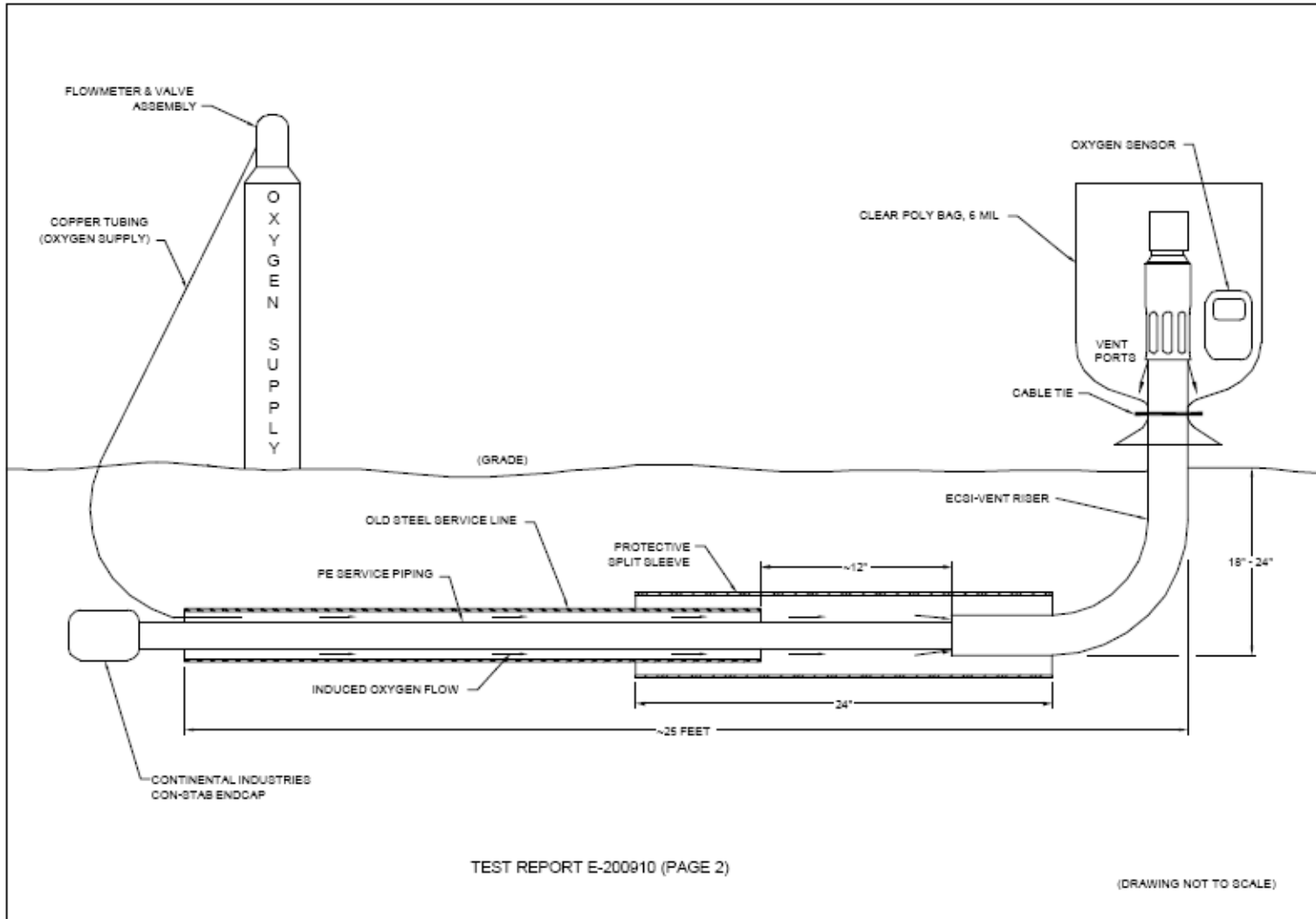
Installation

- No special tools needed
- No special training required
- ECSI-VENT[™] is installed just like any standard riser





Testing – Insertion in Steel Casing

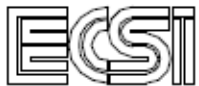
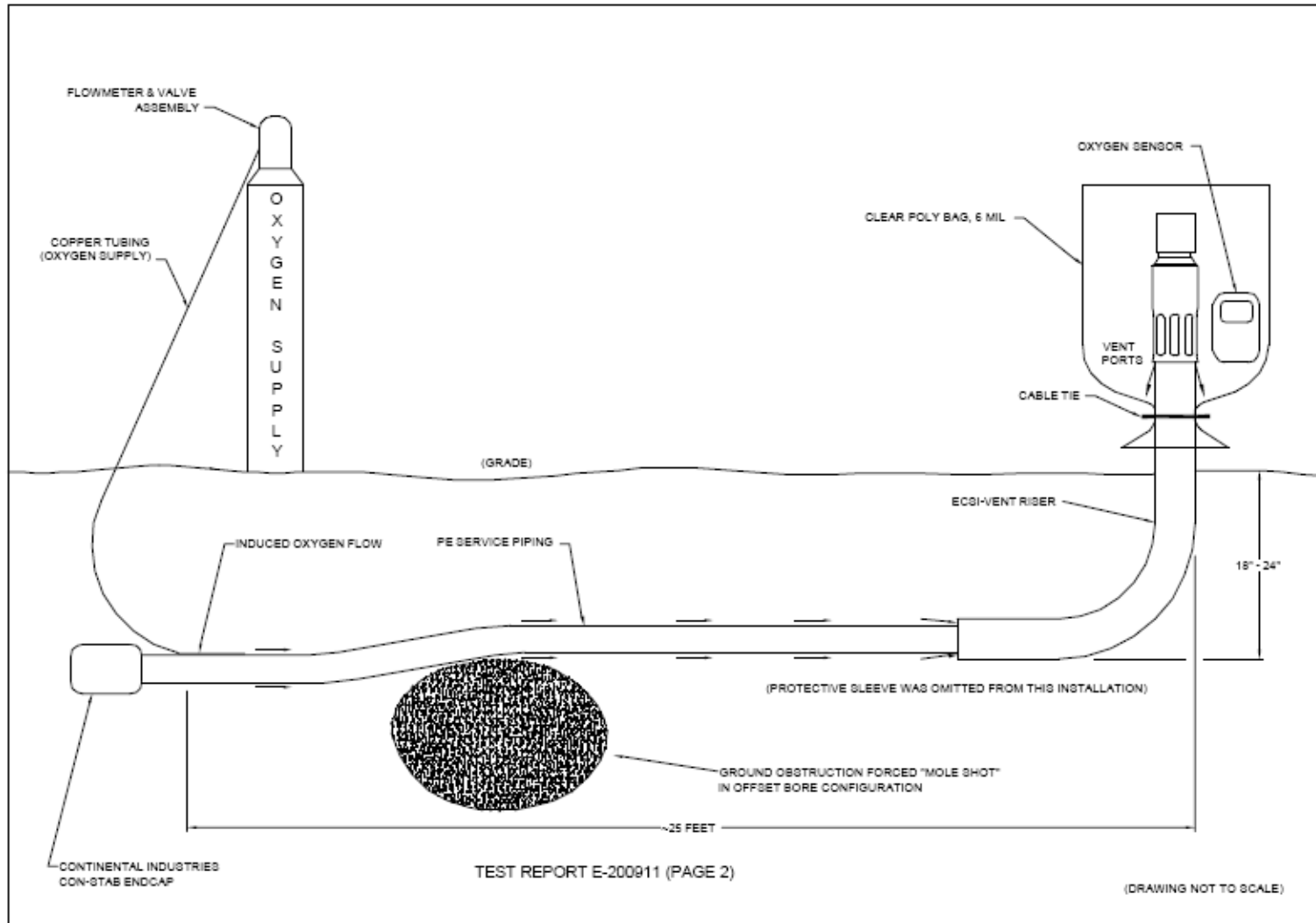


THIS DRAWING CONTAINS PROPRIETARY AND CONFIDENTIAL INFORMATION. ALL INFORMATION ON THIS DOCUMENT IS NOT TO BE DISCLOSED OR DUPLICATED WITHOUT WRITTEN CONSENT OF ENERGY CONTROL SYSTEMS, INC.



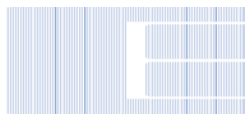


Testing – Mole Shot Installation



THIS DRAWING CONTAINS PROPRIETARY AND CONFIDENTIAL INFORMATION. ALL INFORMATION ON THIS DOCUMENT IS NOT TO BE DISCLOSED OR DUPLICATED WITHOUT WRITTEN CONSENT OF ENERGY CONTROL SYSTEMS, INC.





Contents

- Description and Purpose
- Leak Migration and Joint Integrity
- How the ECSI-VENT™ Works
- Design and Installation
- Advantages



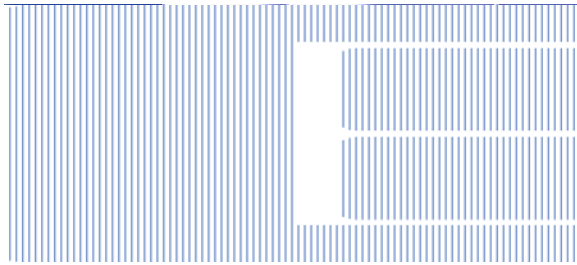


Advantages

- Utility preferred transition style technology
- Multiple venting ports allowing fugitive gases to escape safely to atmosphere
- Eliminates the buildup of dangerous fuel gas at the base of the riser in the vicinity of a structure
- Safely vents minor leaks and identifies elevated flow rate leaks
- Cost is nearly identical to a standard, non-vented riser...

With an additional margin of safety! Peace of mind for a homeowner at little or no added cost!





Energy Control Systems, Inc.

100 Hafner Avenue Pittsburgh, PA 15223

Telephone: 412-781-8500

Fax: 412-781-4498

Email: sales@ecsi4gas.com